

NOTES:  
 1 \* Rx (250uV) THIS RECEIVER TEST IS AT 45MHz AND HAS A 10k RESISTOR IN SERIES WITH THE 50ohm SOURCE & CAPACITOR.  
 2 REF SHEET 2 FOR MEASUREMENT NOTES AND PIN OUTS.  
 3 ALL DIODES ARE 1N4148 OR EQUIVALENT UNLESS STATED.

ISSUE 2  
REF SHT 2

ISSUE 3  
C93 WAS 33n  
C/R 23433  
22-9-92 NJA

ISSUE 4  
REF SHT 2 & 3

ISSUE 5  
C101, C102, D11 & D12 ADDED.  
C/R 23646  
NJA 20-7-93

ISSUE 6  
R14 & R15 WERE 27k.  
C/R 23740  
NJA 28-9-93

ISSUE 7  
REFER SHT 2 & 3.

ISSUE 8  
REFER SHT 2

ISSUE 9  
C/R 24596  
REFER SHT 2  
5-6-96 MJS

ISSUE 10  
C/R 24881  
C8 DELETED.  
R1 WAS 330R, R3 & R7 WERE 220R,  
R32 & R35 WERE 270R. IC1, IC2  
IC8 & IC9 WERE SL640C. T3 & T4  
WERE 44-70451  
MIXERS LAYOUT  
CHANGED.  
C103-C111 ADDED  
D13 & D14 ADDED,  
R78-R81 ADDED.  
REFER SHT 2.  
7-1-97 MJS

ISSUE 11  
R62 WAS 6K8 (E8)  
R10 WAS 10 (F1)  
C/R 25142  
25-09-97 BCL

ISSUE 12  
C/R 25166  
E1 REPLACED WITH  
XTAL QVEN ASSY  
08-05235-001.  
PCB WAS ISS -09  
C/R 25951  
04-4-3-99

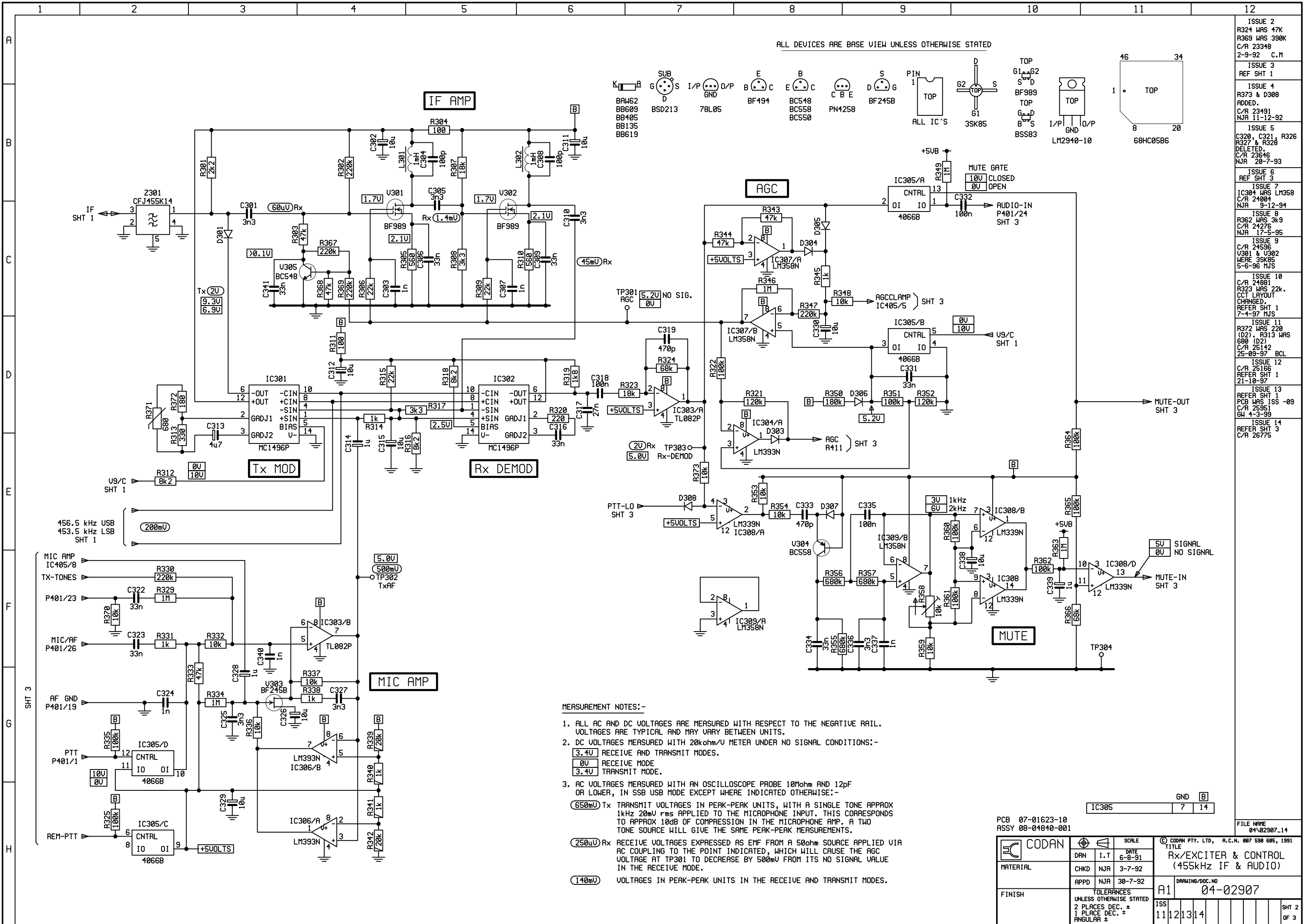
ISSUE 13  
D1-D4 WERE B8609A  
D8 WAS B8405B  
U14 & U15 WERE  
B5D213  
PCB WAS ISS -09  
C/R 25951  
04-4-3-99

ISSUE 14:  
REFER SHT 3  
C/R 26775

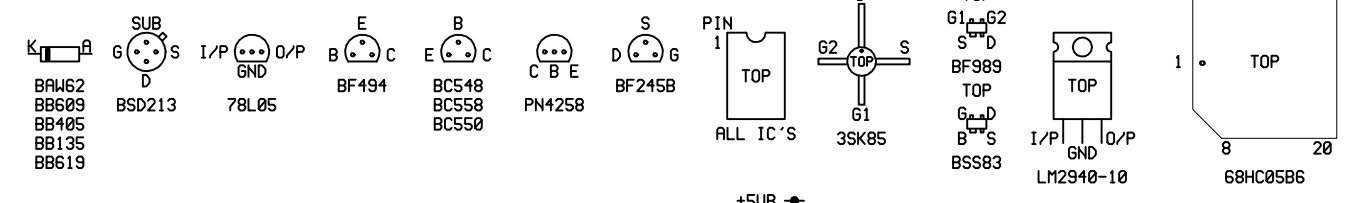
CODAN		SCALE	CODAN PTY. LTD., A.C.N. 007 590 605, 1991	
DRAWN	I.T.	DATE	TITLE	
CHKD	NJA	3-7-92	Rx/EXCITER & CONTROL (RF & DUAL SYNTHESISER)	
APPD	NJA	30-7-92	DRAWING/DOC. NO	
FINISH		TOLERANCES UNLESS OTHERWISE STATED	A1 04-02907	
		2 PLACE DEC. ±	ISS	
		1 PLACE DEC. ±	11	12
		ANGULAR ±	13	14
				SHT 1 OF 3

PCB 07-01623-10  
 ASSY 08-04840-001

FILE NAME  
 04-02907-14



ALL DEVICES ARE BASE VIEW UNLESS OTHERWISE STATED



ISSUE 2  
R324 WAS 17K  
R369 WAS 390K  
C/R 23348  
2-9-92 C.M

ISSUE 3  
REF SHT 1

ISSUE 4  
R373 & D388  
ADDED.  
C/R 23491  
NJA 11-12-92

ISSUE 5  
C320, C321, R326  
R327 & R328  
DELETED.  
C/R 23646  
NJA 20-7-93

ISSUE 6  
REF SHT 3

ISSUE 7  
IC304 WAS LM358  
C/R 24004  
NJA 9-12-94

ISSUE 8  
R362 WAS 3k9  
C/R 24276  
NJA 17-5-95

ISSUE 9  
U301 & U302  
WERE 3SK85  
5-6-96 MJS

ISSUE 10  
C/R 24881  
R323 WAS 22k.  
CCT LAYOUT  
CHANGED.  
REFER SHT 1  
7-4-97 MJS

ISSUE 11  
R372 WAS 220  
(D21, R313 WAS  
680 (D2)  
C/R 25142  
25-09-97 BCL

ISSUE 12  
C/R 25166  
REFER SHT 1  
21-10-97

ISSUE 13  
PCB WAS ISS -09  
C/R 25951  
04-4-3-99

ISSUE 14  
REFER SHT 3  
C/R 26775

MEASUREMENT NOTES:-

- ALL AC AND DC VOLTAGES ARE MEASURED WITH RESPECT TO THE NEGATIVE RAIL. VOLTAGES ARE TYPICAL AND MAY VARY BETWEEN UNITS.
- DC VOLTAGES MEASURED WITH 20kohm/V METER UNDER NO SIGNAL CONDITIONS:-  

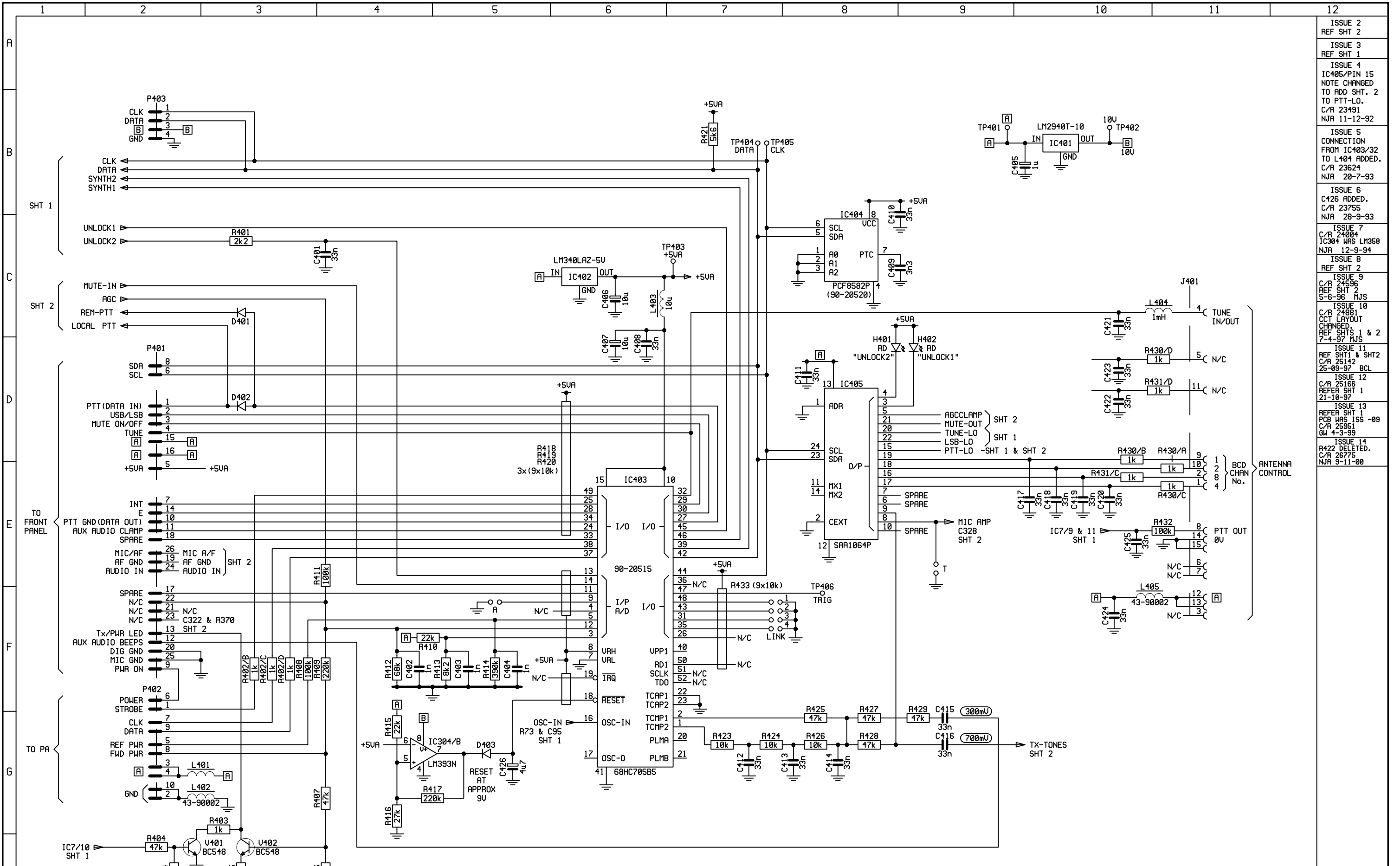
3.4V	RECEIVE AND TRANSMIT MODES.
0V	RECEIVE MODE
3.4V	TRANSMIT MODE.
- AC VOLTAGES MEASURED WITH AN OSCILLOSCOPE PROBE 10Mohm AND 12pF OR LOWER, IN SSB USB MODE EXCEPT WHERE INDICATED OTHERWISE:-  

650mV	Tx TRANSMIT VOLTAGES IN PEAK-PEAK UNITS, WITH A SINGLE TONE APPROX 1kHz 20mV rms APPLIED TO THE MICROPHONE INPUT. THIS CORRESPONDS TO APPROX 10dB OF COMPRESSION IN THE MICROPHONE AMP. A TWO TONE SOURCE WILL GIVE THE SAME PEAK-PEAK MEASUREMENTS.
250uV	Rx RECEIVE VOLTAGES EXPRESSED AS EMF FROM A 50ohm SOURCE APPLIED VIA AC COUPLING TO THE POINT INDICATED, WHICH WILL CAUSE THE AGC VOLTAGE AT TP301 TO DECREASE BY 500mV FROM ITS NO SIGNAL VALUE IN THE RECEIVE MODE.
140mV	VOLTAGES IN PEAK-PEAK UNITS IN THE RECEIVE AND TRANSMIT MODES.

PCB 07-01623-10  
ASSY 08-04840-001

MATERIAL	DRN	I.T.	SCALE	CODAN PTY. LTD., A.C.N. 007 590 605, 1991
	CHKD	NJA	DATE 6-8-91	
FINISH	APPD	NJA	30-7-92	TITLE Rx/EXCITER & CONTROL (455kHz IF & AUDIO)
	TOLERANCES UNLESS OTHERWISE STATED 2 PLACES DEC. ± 1 PLACE DEC. ± ANGULAR ±		DRAWING/DOC. NO A1 04-02907	
ISS				ISS
11				12
13				14
SHT 2				OF 3

FILE NAME  
04-02907-14



ISSUE 2  
REF SHT 2

ISSUE 3  
REF SHT 1

ISSUE 4  
IC405/PIN 15  
NOTE CHANGED  
TO ADD SHT. 2  
TO PTT-LO.  
C/R 23491  
NJA 11-12-92

ISSUE 5  
CONNECTION  
FROM IC403/32  
TO L404 ADDED.  
C/R 23624  
NJA 28-7-93

ISSUE 6  
C426 ADDED.  
C/R 23755  
NJA 28-9-93

ISSUE 7  
C/R 24004  
IC304 WAS LM358  
NJA 12-9-94

ISSUE 8  
REF SHT 2

ISSUE 9  
REF SHT 2

ISSUE 10  
C/R 24881  
C/T LAYOUT  
CHANGED.  
REF SHTS 1 & 2  
7-4-97 MJS

ISSUE 11  
REF SHT1 & SHT2  
C/R 25142  
25-09-97 BCL

ISSUE 12  
C/R 25166  
REFER SHT 1  
21-10-97

ISSUE 13  
REFER SHT 1  
PCB WAS ISS -09  
C/R 25951  
GW 4-3-99

ISSUE 14  
R422 DELETED.  
C/R 26775  
NJA 9-11-00

NOTES:-  
1. REFER SHEET 2 FOR PIN OUTS.

PCB 07-01623-10  
ASSY 08-04840-001

CODAN		SCALE	© CODAN PTY. LTD., A.C.N. 007 590 605, 1991	
MATERIAL		DRN	I.T.	DATE
FINISH		CHKD	NJA	3-7-92
		APPD	NJA	30-7-92
		DRAWING/DOC. NO.		
		A2		04-02907
		ISS		
		11	12	13
		14		
		SHT 3		
		OF 3		